

Parts book
High speed direct drive
lockstitch machine

Tronic ONE

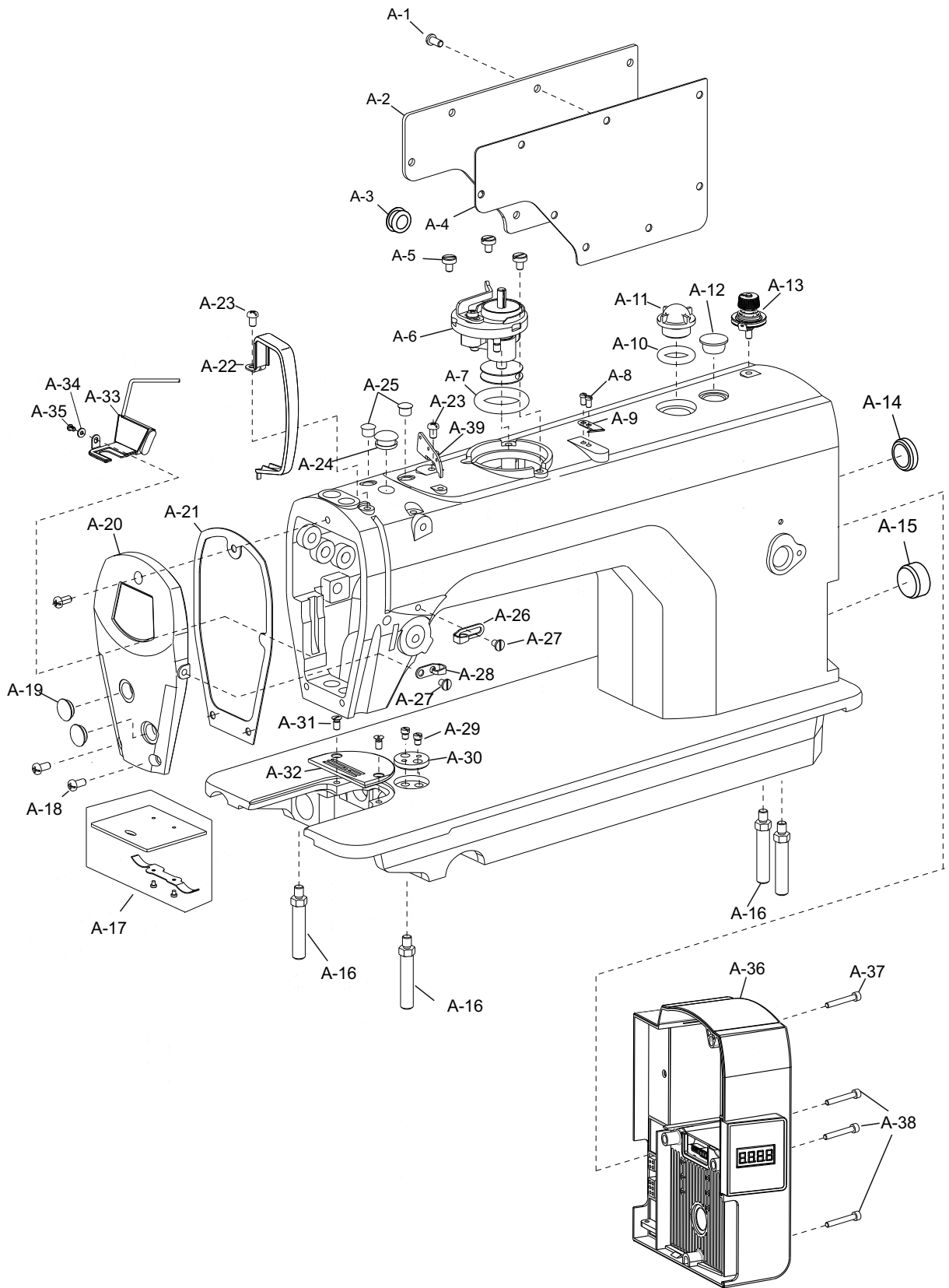
The logo features a stylized purple icon of three overlapping teardrop shapes to the left of the word "texi".

texi

CONTENTS

Machine Frame & Miscellaneous Cover Components	1
Main Shaft & Thread Take-up Cover Components.....	3
Needle bar & thread tension components.....	5
Presser bar & tension release components.....	7
Hook of driving shaft components.....	9
Feed mechanism components.....	11
Lubrication Components.....	14
Presser Foot Components Of Oil Plate Knee Lift.....	16
Components Of Thread Stand.....	18
Accessories.....	20

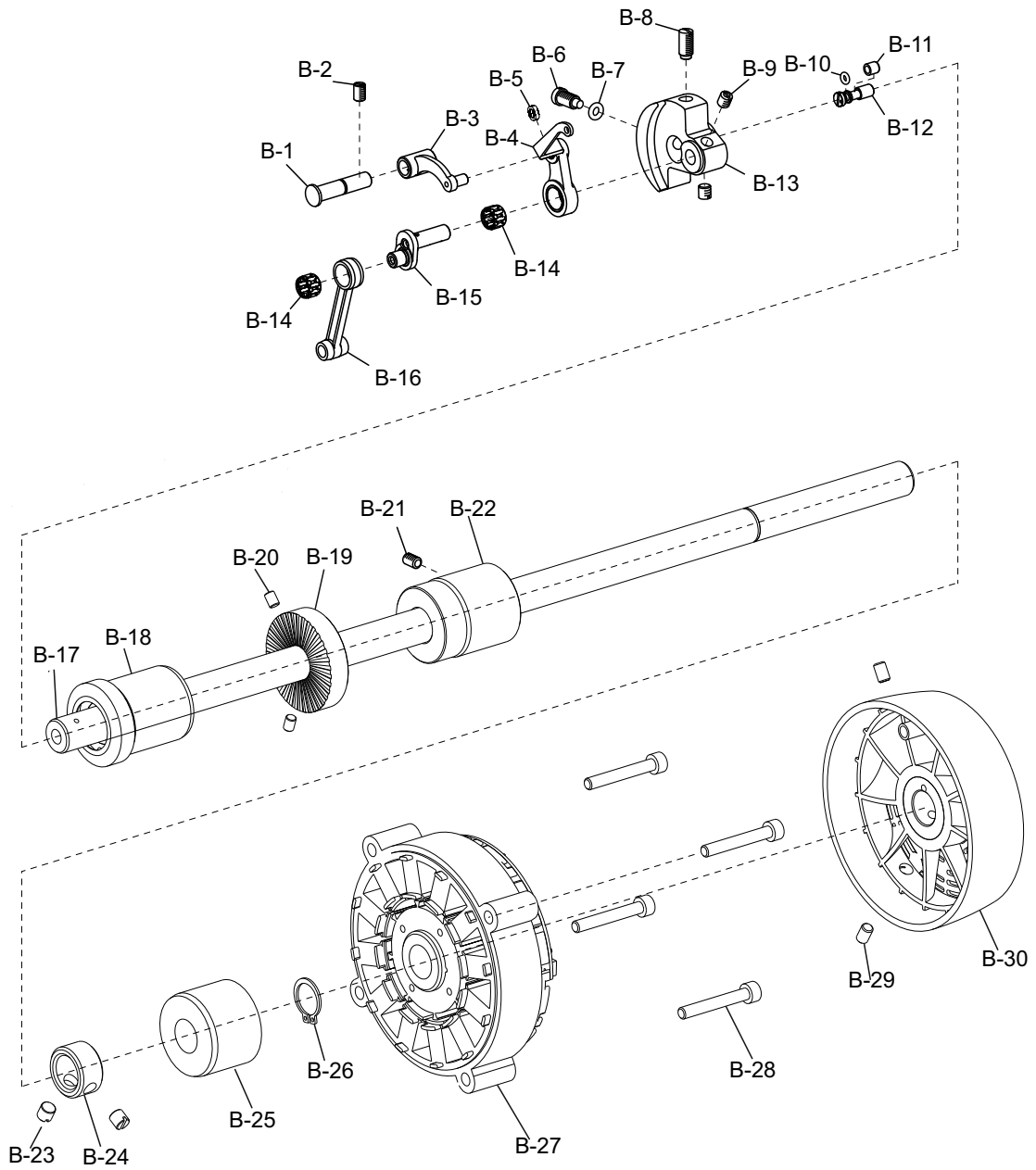
A Machine frame & miscellaneous cover components



A Machine frame & miscellaneous cover components

Ref.No.	Part.No.	Description	Q'ty
A-1	10008972	Screw	8
A-2	20003774	Side plate	1
A-3	10008977	Rubber plug	1
A-4	10010877	Side plate gasket	1
A-5	10004380	Screw	3
A-6	10031086	Bobbin wider ASM.	1
A-7	10008773	Rubber ring	1
A-8	10050423	Screw	2
A-9	10011149	Thread cutter	1
A-10	10008939	O-ring	1
A-11	10008938	Oil window	1
A-12	10009576	Rubber plug	1
A-13	10034382	Bobbin thread tension ASM.	1
A-14	10008975	Rubber plug	1
A-15	10008941	Rubber plug	1
A-16	10002577	Bed screw stud	4
A-17	10013706	Side plate ASM.	1
A-18	10008972	Screw	3
A-19	10008977	Rubber plug	2
A-20	20013583	Left cover	1
A-21	10039362	Washer	1
A-22	10014082	Thread take-up lever cover	1
A-23	10008934	Screw	2
A-24	10008942	Rubber plug	1
A-25	10008943	Rubber plug	2
A-26	10008940	Arm thread guide right	1
A-27	10008973	Screw	2
A-28	10008937	Arm thread guide left	1
A-29	10004374	Screw	2
A-30	10004373	Ruler plate	1
A-31	10009005	Screw	2
A-32	10026544	Needle plate	1
A-33	10053207	The jog fill needle components	1
A-34	10011168	Washer 4.8	1
A-35	10008934	Screw SM3/16"×28	1
A-36	10053992 TEXI	Control box QD8623	1
A-37	10012080	Screw M4×20	1
A-38	10049837	Screw M5×35	3
A-38	10052992	Thread tension guide	1

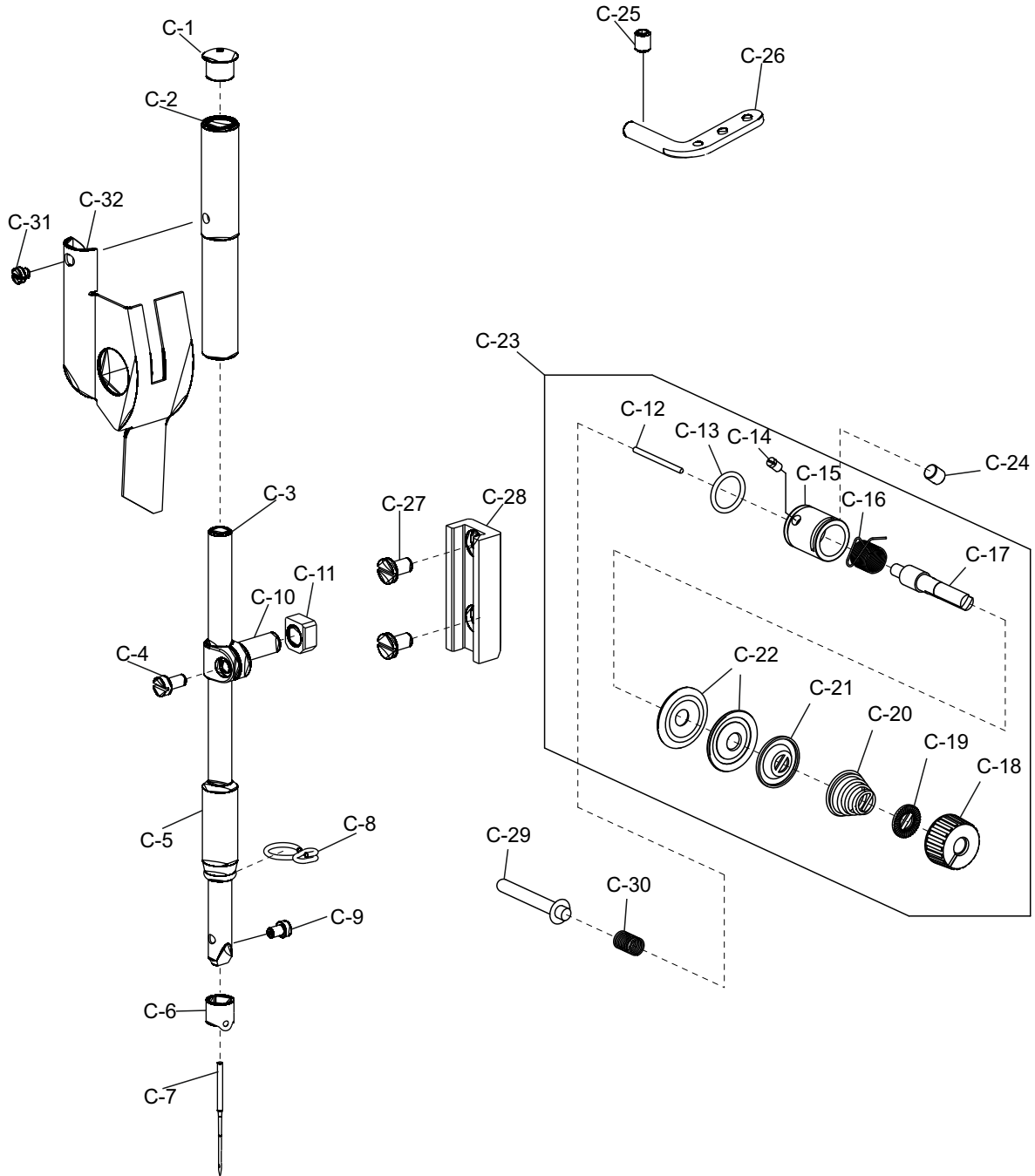
B Main shaft&thread take-up components



B Main shaft & thread take-up components

Ref.No.	Part.No.	Description	Q'ty
B-1	10010543	Thread take-up crank shaft	1
B-2	10010083	Screw	1
B-3	10010535	Thread take-up bar	1
B-4	10038474	Thread take-up lever Asm.	1
B-5	10010539	Oil resistant cover	1
B-6	10010545	Screw	1
B-7	10010534	O-ring	1
B-8	10010082	Screw	1
B-9	10010065	Screw	2
B-10	10010538	O-ring	1
B-11	10010540	Sleeve of adjusting pin	1
B-12	10010504	Adjusting pin	1
B-13	10012203	Counter weight	1
B-14	10010504	Bearing	2
B-15	10004144	Needle bar crank	1
B-16	10053104	Needle bar crank rod	1
B-17	10053105	Main shaft	1
B-18	10007233	Bearing support	1
B-19	10004472	Wheel	1
B-20	10012062	Screw	2
B-21	10010506	Screw	1
B-22	10048484	Bearing support	1
B-23	10005020	Screw	2
B-24	10048496	Thrust collar	1
B-25	10048486	Bearing support	1
B-26	10010090	Thrust collar	1
B-27	10053257	Motor	1
B-28	10003100	Screw	4
B-29	10002436	Screw	2
B-30	10053202	Hand wheel	1

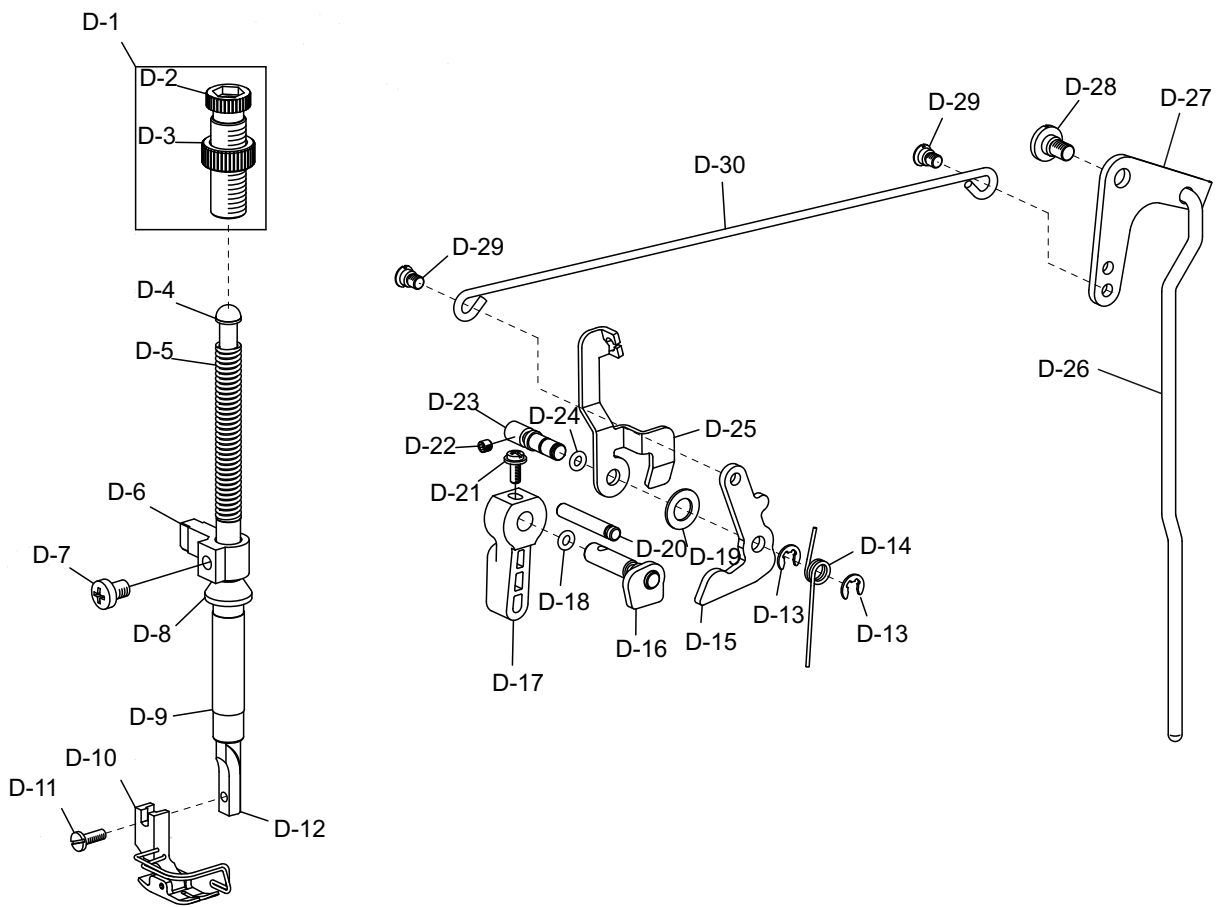
C Needle bar & thread tension components



C Needle bar & thread tension components

Ref.No.	Part.No.	Description	Q'ty
C-1	10010587	Rubber plug	1
C-2	10011063	Bearing support	1
C-3	10021295	Needle bar	1
C-4	10030286	Screw	1
C-5	10014117	Bearing support	1
C-6	10005943	Needle bar thread guide	1
C-7		Needle	1
C-8	10010591	Needle bar thread guide	1
C-9	10010588	Screw	1
C-10	10052735	Needle bar holder	1
C-11	10052734	Slide block	1
C-12	10004184	Thread release pin	N
C-13	10004183	O-ring	1
C-14	10004200	Screw	1
C-15	10039524	Tension post socket	1
C-16	10004201	Spring	1
C-17	10004177	Screw	1
C-18	10012981	Nut	1
C-19	10004199	Tension disc stopper	1
C-20	10004176	Spring	1
C-20	10005941	Spring	1
C-21	10004179	Thread release disc	1
C-22	10004180	Tension disc holder	2
C-23	10041354	Thread take-up device	1
C-24	10006264	Screw	1
C-25	10008934	Screw	1
C-26	10010640	Three-hole thread eyelet	1
C-27	10010308	Screw	1
C-28	10053109	Screw	1
C-29	10012140	Tension release supporting pin	1
C-30	10010642	Spring	1

D Presser bar & tension release components

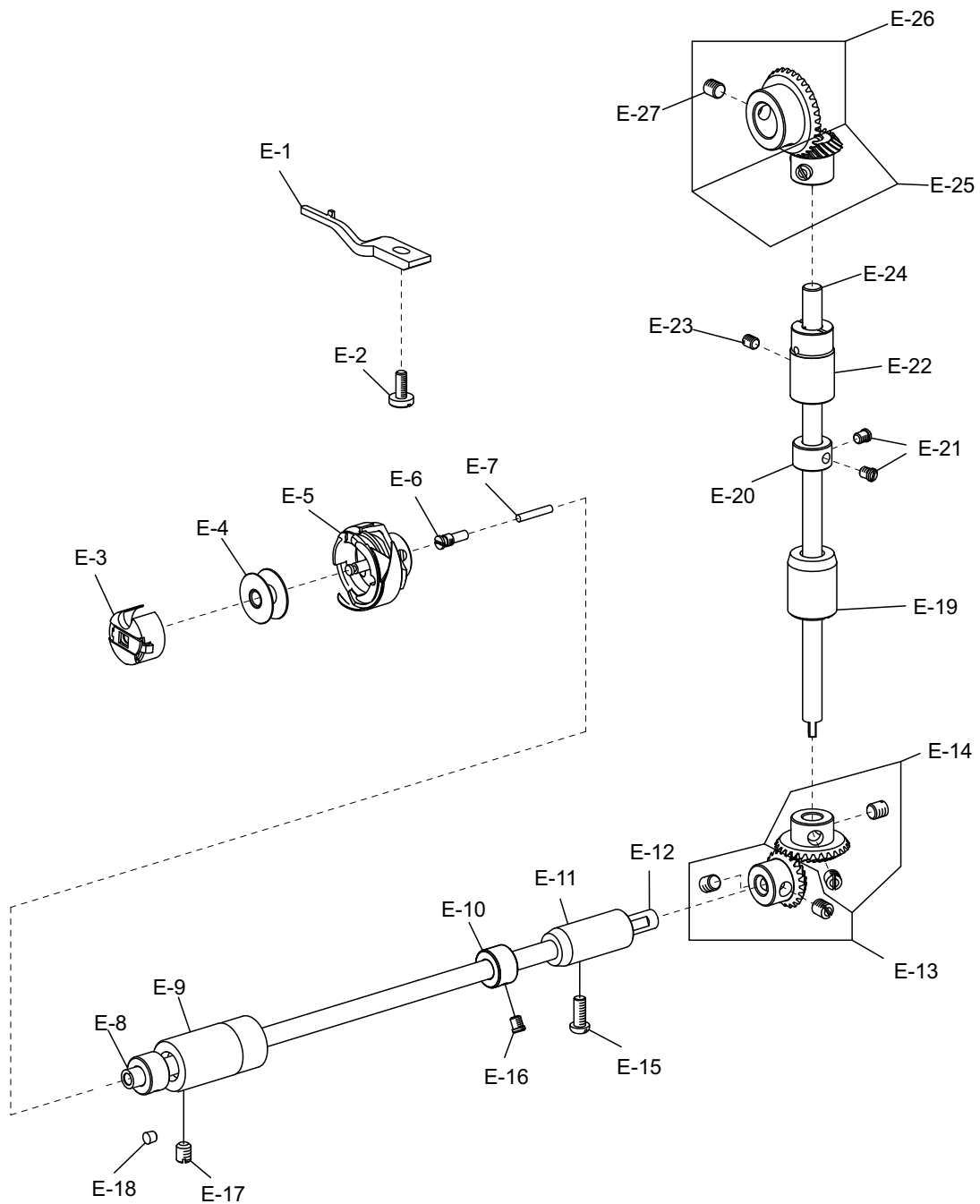


D Presser bar & tension release components

Ref.No.	Part.No.	Description	Q'ty
D-1	10008409	Screw ASM.	1
D-2	10011022	Screw	1
D-3	10011023	Nut	1
D-4	10004439	Presser guide bar	1
D-5	10004473	Spring	1
D-6	10039365	Presser guide bar bracket	1
D-7	10000325	Screw	1
D-8	10011457	Oil protector cover	1
D-9	10014118	Bearing support	1
D-10	10012449	Presser foot ASM.	1
D-11	10010650	Screw	1
D-12	10010646	Presser bar	1
D-13	10013038	Snap ring	2
D-14	10039381	Spring	1
D-15	10039371	Lifting lever	1
D-16	10050190	Hand lifter CAM ASM.	1
D-17	10011064	Hand lifter	1
D-18	10010027	O-ring	1
D-19	10050590	Snap ring	1
D-20	10039374	Shaft	1
D-21	10010016	Screw	1
D-22	10009074	Screw	1
D-23	10039373	Screw	1
D-24	10010027	O-ring	1
D-25	10039372	Tension release plate	1
D-26	10039377	Connecting rod vertical	1
D-27	10039379	Lifting lever link	1
D-28	10010652	Screw	1
D-29	10010651	Screw	1
D-30	10041762	Lifting lever connecting rod	1

E

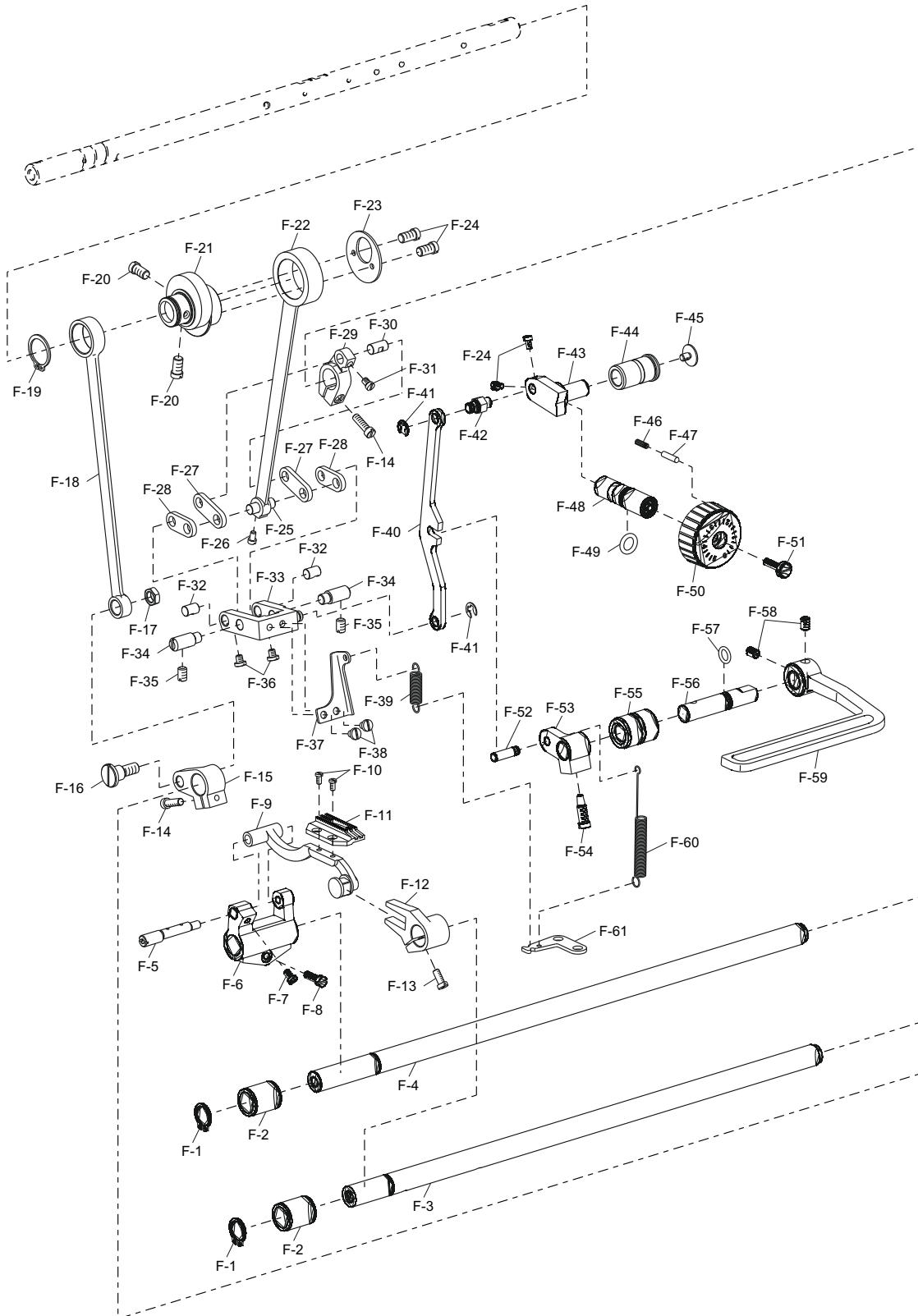
Hook of driving shaft components



E Hook of driving shaft components

Ref.No.	Part.No.	Description	Q'ty
E-1	10010067	Positioning finger	1
E-2	10010066	Screw	1
E-3	10003780	Bobbin case	1
E-4	1001006	Bobbin	1
E-5	10023997	Hook	1
E-6	10010064	Screw	1
E-7	10010063	Oil wick	1
E-8	10011065	Oil seal	1
E-9	10004347	Bearing support	1
E-10	10010058	Snap ring	1
E-11	10048484	Bearing support	1
E-12	10010061	Hook driving shaft	1
E-13	10002560	Gear	1
E-14	10002509	Gear	1
E-15	10010030	Screw	1
E-16	10010059	Screw	2
E-17	10010593	Screw	1
E-18	10008864	Rubber plug	1
E-19	10048490	Bearing support	1
E-20	10010058	Snap ring	1
E-21	10010059	Screw	2
E-22	10048488	Bearing support	1
E-23	10039610	Screw	1
E-24	10010057	Upright shaft	1
E-25	10002561	Gear	1
E-26	10002445	Gear	1
E-27	10010065	Screw	8

F Feed mechanism components



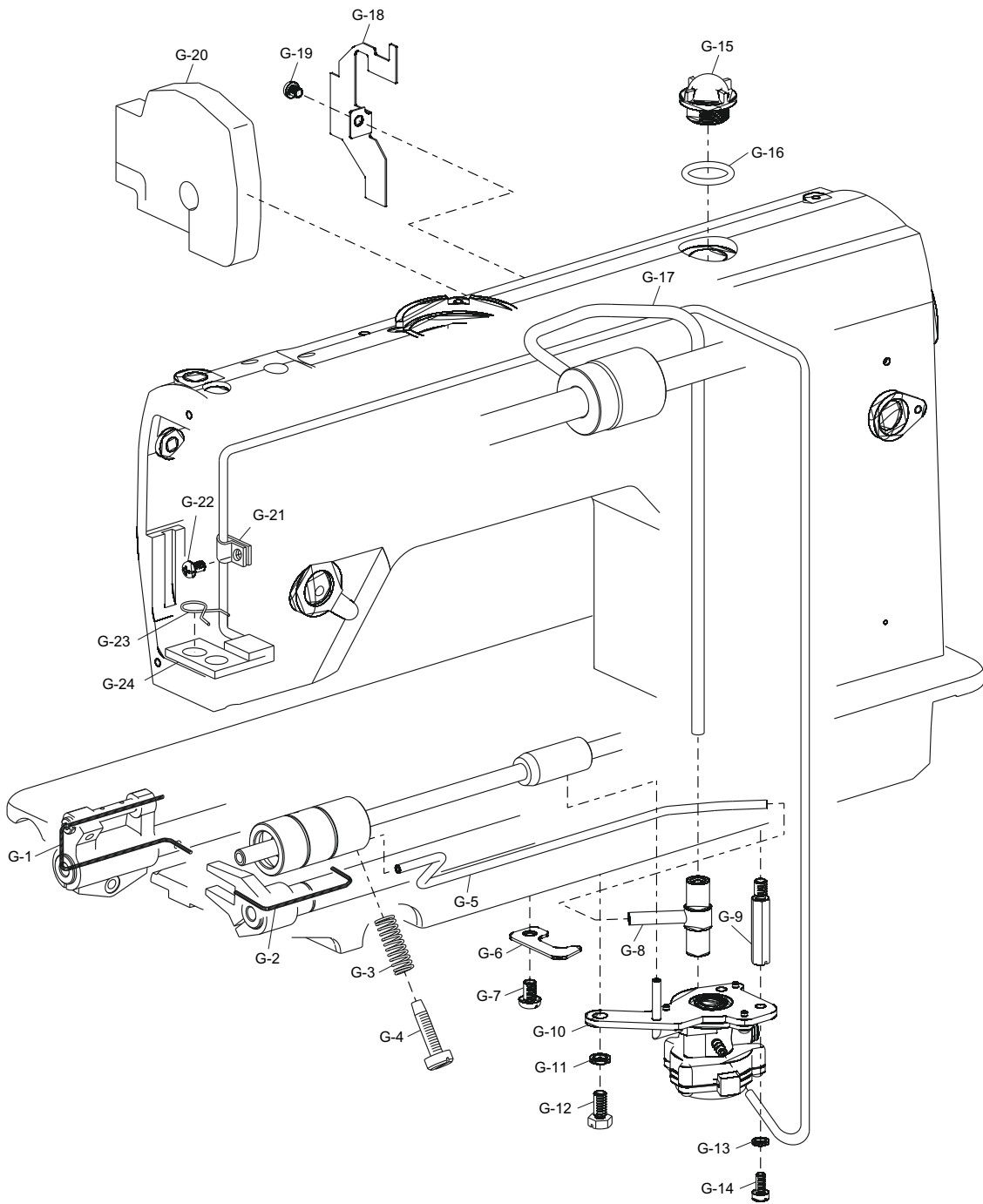
F Feed mechanism components

Ref.No.	Part.No.	Description	Q'ty
F-1	10010090	Closing ring 13.8×1	2
F-2	10014116	Shaft sleeve	2
F-3	10010097	Feed driving shaft	1
F-4	10010073	Feed rocker shaft	1
F-5	10004440	Pin	1
F-6	10004474	Feed bar driving crank	1
F-7	10010074	Screw SM11/64"×40	1
F-8	10004993	Screw SM3/16"×28	1
F-9	20001665	Feed bar ASM.	1
F-10	10010099	Screw SM1/8"×44	2
F-11	10026545	Feed dog	1
F-12	10042079	Crank	1
F-13	10004628	Screw SM11/64"×40	1
F-14	10010095	Screw SM3/16"×28	2
F-15	10010086	Crank	1
F-16	10010091	Screw	1
F-17	10004475	Nut SM9/32"×28	1
F-18	10010084	Connecting rod	1
F-19	10010089	Closing ring 18.5×1.2	1
F-20	10010092	Screw SM1/4"×40	2
F-21	10010115	Feed drive eccentric cam	1
F-22	10010072	Connecting rod	1
F-23	10010098	Thrust cover	1
F-24	10010643	Screw SM9/64"×40	4
F-25	10010069	Pin	1
F-26	10010071	Screw SM9/64"×40	1
F-27	10010068	Connecting plate	2
F-28	10010075	Connecting plate	2
F-29	10010076	Crank	1
F-30	10010096	Pin	2
F-31	10013015	Screw SM11/64"×40	1
F-32	10010087	Pin	2
F-33	10010088	Feed adjusting ASM.	1
F-33	10028750	Feed adjusting ASM.	1
F-34	10010102	Pin	2

F**Feed mechanism components**

Ref.No.	Part.No.	Description	Q'ty
F-35	10010506	Screw SM15/64"×28	2
F-36	10010197	Screw SM9/64"×40	2
F-37	10010282	Plate	1
F-38	10010285	Screw SM11/64"×40	2
F-39	10010284	Spring	1
F-40	10010283	Feed adjust rod	1
F-41	10010649	Closing ring 5.1×0.6	2
F-42	10010288	Pin	1
F-43	10010242	Feed regulator	1
F-44	10014120	Shaft sleeve	1
F-45	10010238	Screw	1
F-46	10013869	Spring	1
F-47	10013870	Pin	1
F-48	10011025	Screw	1
F-49	10010240	O-ring 9.2×2.7	1
F-50	10035275	Feed dial	1
F-51	10010281	Screw SM3/16"×28	1
F-52	10010287	Pin	1
F-53	10053108	Crank	1
F-54	10010236	Screw	1
F-55	10014119	Shaft sleeve	1
F-56	10010241	Reverse feed shaft	1
F-57	10010243	O-ring 7.8×2	1
F-58	10040504	Screw M6	2
F-59	20003459	Reverse feed control lever	1
F-60	10010237	Spring	1
F-61	10010235	Plate	1

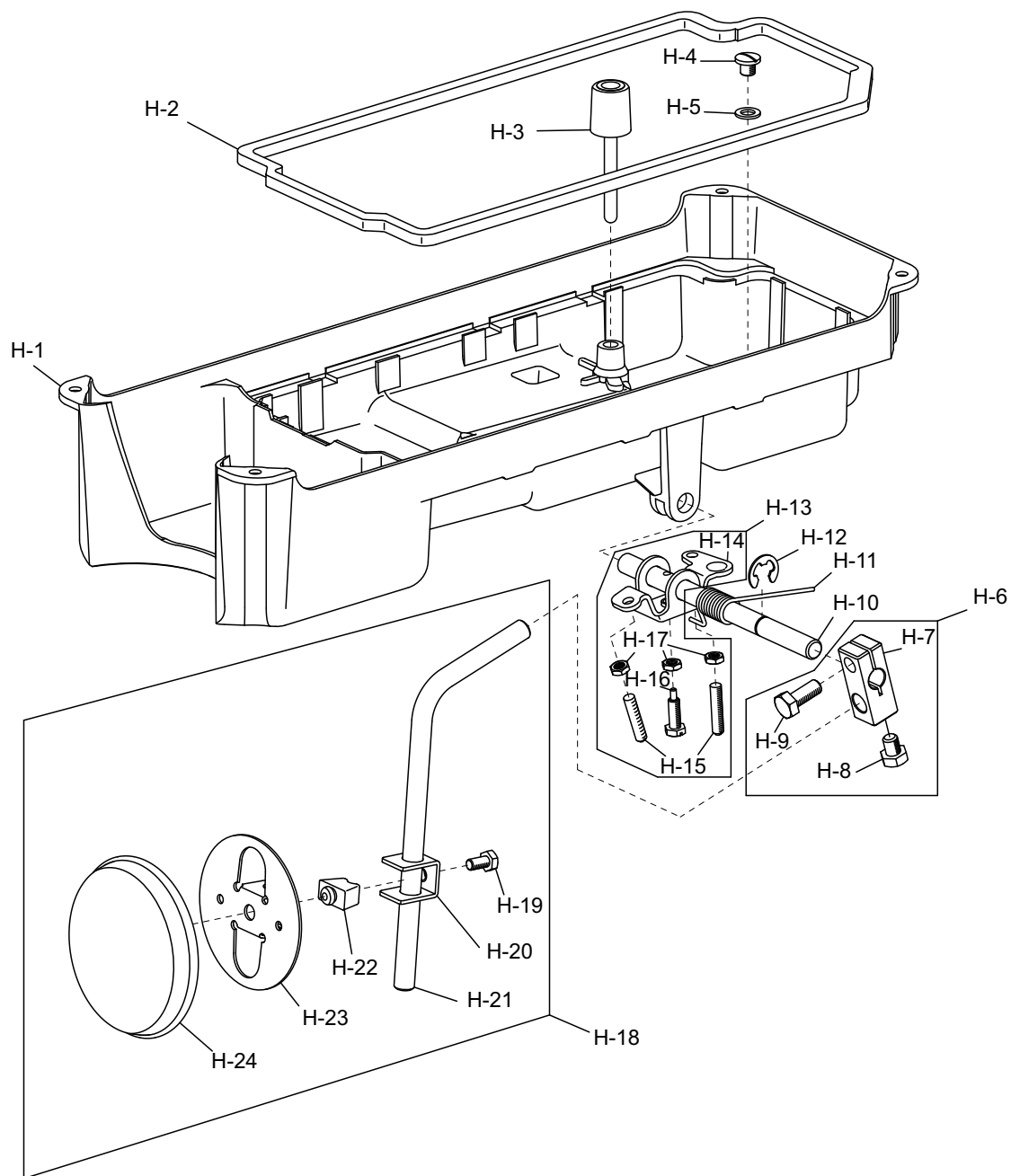
G Lubrication Components



G Lubrication Components

Ref.No.	Part.No.	Description	Q'ty
G-1	10008067	Oil wick(430mm)	1
G-2	10008067	Oil wick(400mm)	1
G-3	10010341	Spring	1
G-4	10010344	Screw	1
G-5	10010345	Oil tube	1
G-6	10010295	Pressing plate	1
G-7	10010292	Screw SM15/64"×28	2
G-8	10010340	Oil connection	1
G-9	10010293	Screw	1
G-10	10008817	Oil pump ASM.	1
G-11	10003077	Washer 6	1
G-12	10050422	Screw SM15/64"×28	1
G-13	10005537	Washer 5	1
G-14	10010066	Screw SM11/64"×40	1
G-15	10008938	Oil sight window	1
G-16	10008939	O-ring 19×3	1
G-17	10023807	Oil tube	1
G-18	10010898	Oil stoper	1
G-19	10010899	Screw SM3/16"×28	1
G-20	10014197	Foam rubber	1
G-21	10004476	Holder	1
G-22	10008934	Screw SM3/16"×28	1
G-23	10010294	Oil felt preser	1
G-24	20000778	Oil return tube ASM.	1

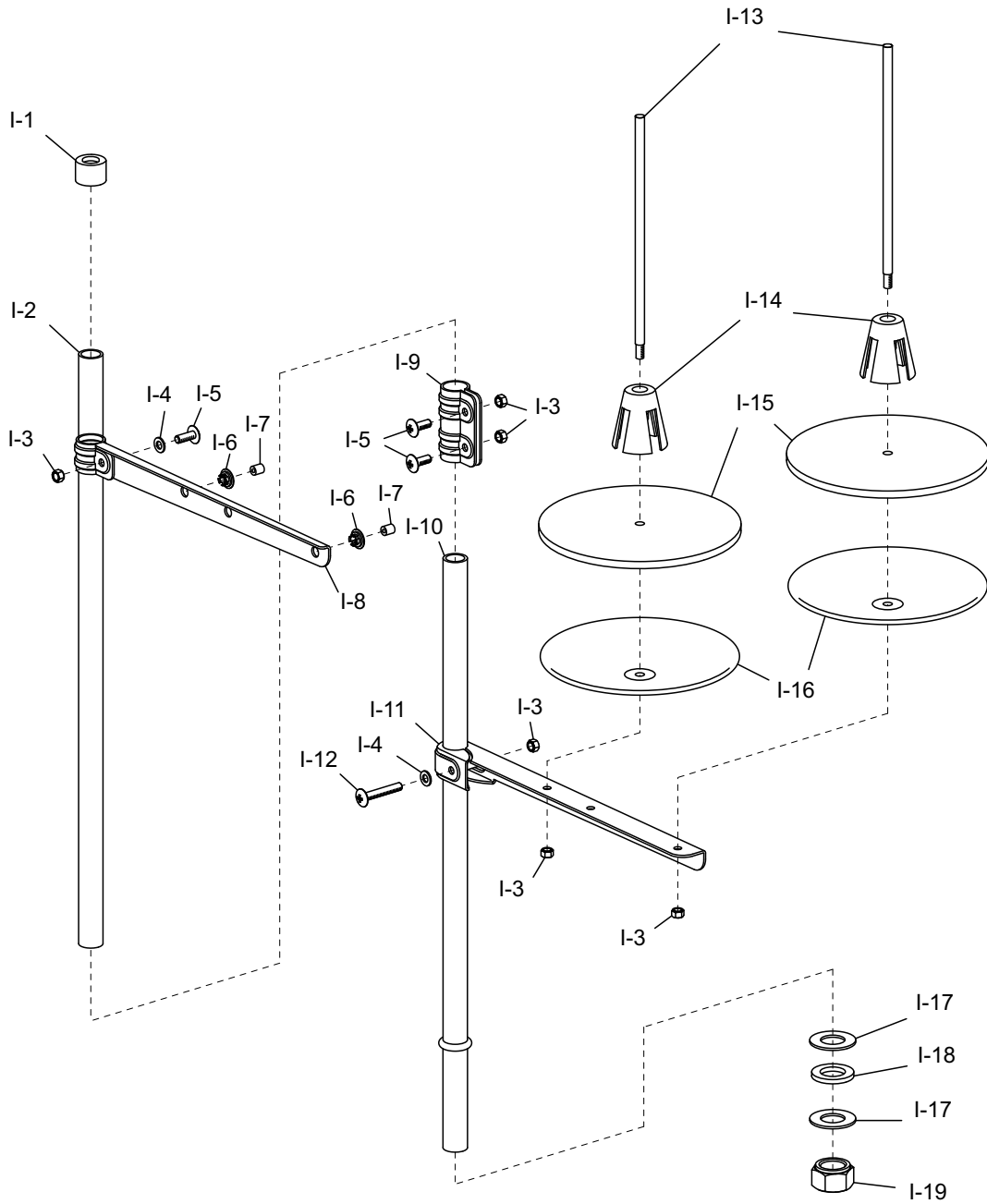
H Presser foot components of oil plate knee lift



H Presser foot components of oil plate knee lift

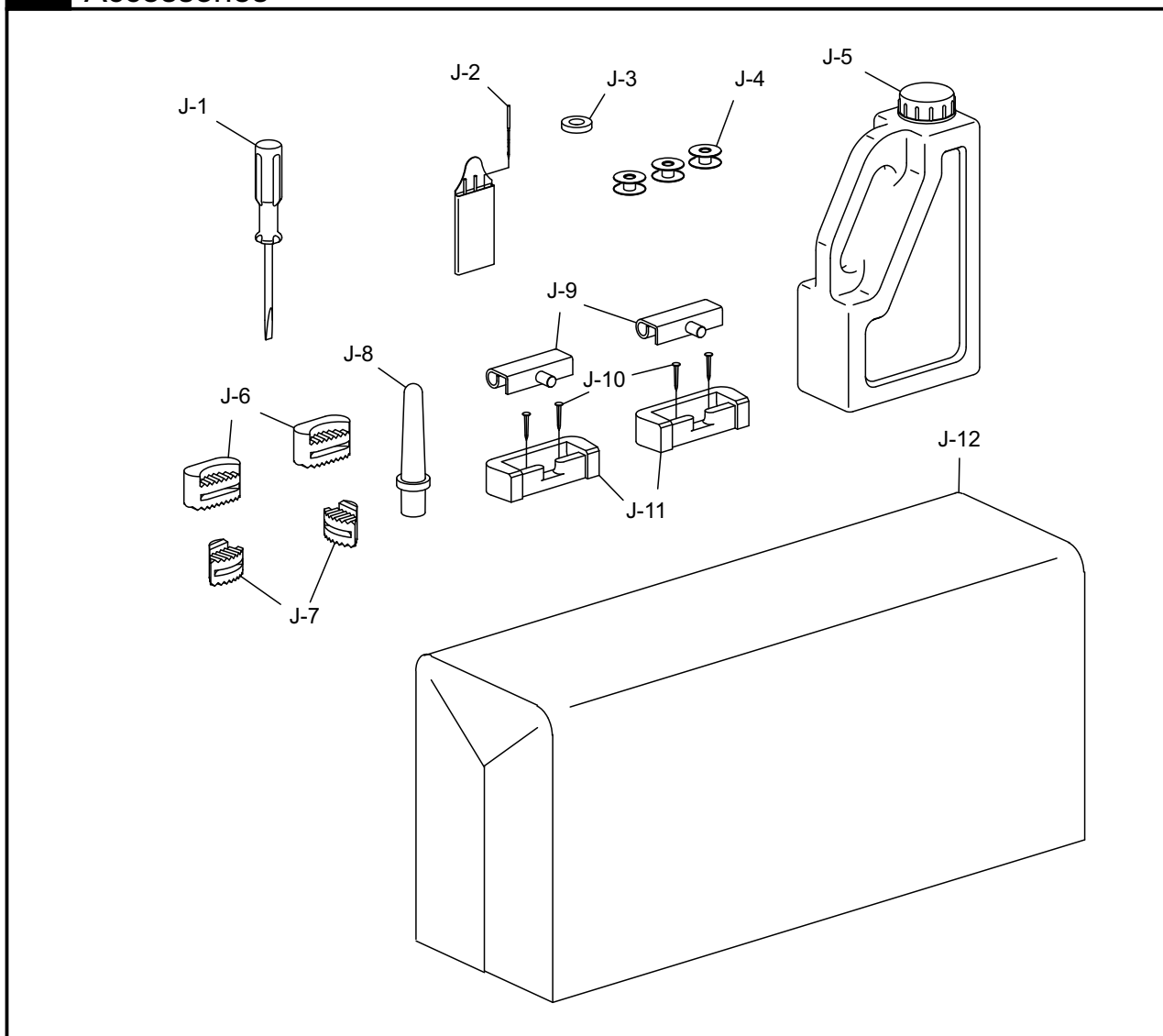
Ref.No.	Part.No.	Description	Q'ty
H-1	10008313	Oil reservoir	1
H-2	10014194	Oil reservoir gasket	1
H-3	10009984	Pin	1
H-4	10009991	Screw	1
H-5	10009988	Rubber ring	1
H-6	10002562	Bracket ASM.	1
H-7	10003896	Bracket	1
H-8	10002610	Screw	1
H-9	10002613	Screw	1
H-10	10003899	Knee pressing shaft	1
H-11	10003893	Spring	1
H-12	10002559	Snap ring	1
H-13	10002563	Crank ASM.	1
H-14	10009987	Crank	1
H-15	10003895	Screw	2
H-16	10003898	Screw	1
H-17	10003890	Nut	3
H-18	10009985	Knee pressing plate ASM.	1
H-19	10003894	Screw	1
H-20	10003897	Knee pressing plate holder	1
H-21	10003901	Knee pressing plate rod	1
H-22	10003900	Knee pressing plate rubber	1
H-23	10003891	Knee pressing plate	1
H-24	10004223	Knee pressing cover	1

I Components of thread stand



I Components of thread stand			
Ref.No.	Part.No.	Description	Q'ty
I-1	10004282	Column cap	1
I-2	10004293	Column pipe (upper)	1
I-3	10002953	Nut	6
I-4	10003022	Washer	2
I-5	10003301	Screw	3
I-6	10004285	Thread guide bushing	2
I-7	10004289	Thread guide pipe	2
I-8	10004298	Thread hanger (upper)	1
I-9	10004286	Column pipe connector	1
I-10	10004291	Column pipe (lower)	1
I-11	10004284	Thread hanger (lower)	1
I-12	10003312	Screw	1
I-13	10004288	Spool pin	2
I-14	10004287	Spool cushion	2
I-15	10004281	Spool mat	2
I-16	10004299	Spool seat disc	2
I-17	10004290	Washer	2
I-18	10004295	Washer	1
I-19	10002985	Nut	1

J Accessories



Ref.No.	Part.No.	Description	Q'ty
J-1	10010995	Screw driver	1
J-2		Needle	3
J-3	10003892	Oil reservoir magnet	1
J-4	10010060	Screw	3
J-5	10004455	Oil bottle with oil	1
J-6	10009986	Oil reservoir seat	2
J-7	10009993	Oil reservoir cushion	2
J-8	10004466	Head connecting hook	2
J-9	10003889	Nail	4
J-11	10011041	Head connecting hook socket	2
J-12	10008849	Head cover	1



Dealer:

--